

# Grove brings you a new level of lifting

## MEGATRAK™

independent suspension system  
is a Grove exclusive



The new Grove GMK6300L offers the strongest, longest boom combination on six axles. Exceptional lift capacities and fast setup times make this crane ideal for a broad range of applications, ensuring unmatched performance and versatility

### GMK6300L advantages:

- Exceptionally strong load charts with 80 m of main boom reach
- 29 m hydraulic luffing jib
- MEGATRAK™ independent suspension and all-wheel steering for unmatched on/off highway performance
- Fully automatic Allison transmission
- Five outrigger positions provide ultimate flexibility

**Come see us at Bauma**  
Outdoor F10 Booth 1002/6

Contact your dealer or visit [www.manitowoc.com](http://www.manitowoc.com).

# The unmissables...

C&a

Bauma 2010

Bauma is huge and Bauma 2010 - the 29th - looks set to be the biggest yet with more than half a million square metres of exhibition space. While other shows have felt the economic pinch, Bauma has ploughed on at full speed, with many potential exhibitors obliged to join a long waiting list before joining the 3,000 plus exhibitors, due to the show being sold out well in advance.

Visitors interested in 'lifting' equipment will find the vast majority of relevant exhibitors located in the vast outside area. Even for experienced show visitor, Bauma takes a lot of planning to ensure that you get the most out of your visit. It is very easy to walk miles and still miss exhibits you needed to see.

Even focussing exclusively on the Crane, Access and telehandler exhibits, there are still well over 1,000 pieces of equipment to look at! So what do you do if you have a limited time at the event - and given the hotel costs this is a distinct possibility for many? You can start with the guided tours in the Vertical Guide to Bauma which will be published on-line at least a week before the show, with more than 12,000 hard copies distributed at the fair itself. Each equipment sector includes a full listing and easy to follow, logical tours with the highlights and 'what to look for' clearly outlined.

In the meantime, however, the following pages contain our main preview and includes both a full listing along with the 50 exhibits not to miss - mostly new products of course. If you are visiting the show, please come and visit our stand at the entrance to the outside area and pick up your guide.



## C&A's 50 exhibits not to miss

### Access Equipment

#### 1. Bronto Skylift S112 HLA

Bronto's record breaking 112 metre working height S112 HLA truck mounted platform not only adds a further eight metres to anything on the market but also offers 25 metres outreach at 90 metres height. The lift is mounted onto a Mercedes 76.60 12x8x10 commercial truck chassis with a 19 metre overall length and overall height of less than four metres. Unfortunately no pictures are available so this is definitely one to see at the show.

#### 2. Merlo MPR 15 and 18

Merlo never disappoints at show time, consistently unveiling innovative and unusual products. Bauma 2010 is no different with the launch of the MPR 15 and 18 All Terrain lifts that combine Roto telehandler running gear with a telehandler boom and a four by two metre scissor lift sized deck. The result is a 40 kph road-going 4x4x4, big deck boom lift, with



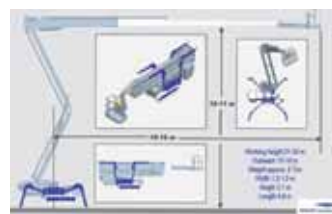
1,000kg platform capacity and 180 degrees of end mounted platform rotation in each direction, providing over 2.5 metres of clear lateral outreach from the edge of the 2.2 metre wide chassis. The lift is fully self propelled from the platform in any configuration and can level by nine degrees side to side and five degrees end to end.

Other Merlo access introductions include at least two Cingo articulated telescopic spider lifts, a nine and a 12 to 14 metre model.

#### 3. Worldlift/Skako Lift - FS320Z

Danish-based Worldlift Industries will unveil its new identity - Skako Lift - at the show along with an all new 32 metre articulated boom tracked spider lift, with up to 16 metres outreach and an overall weight of less than five tonnes. The new unit will feature a chunky dual over-centre riser mechanism, four section telescopic boom and articulating jib. At just 6.8 metres overall length and 1.2 metre retracted width it is highly compact. The company also says that it will be priced very attractively.

Skako Lift will also be talking about its new 52 metre Falcon spider lift, the first unit of which will ship to Irish-based rental company Easi-Uplifts in August.



#### 4. Hinowa Goldlift 14.70 Battery

Possibly one of the most important new product developments is the Hinowa battery-powered Goldlift 14.70 tracked spider lift with 2,000 Watt, 48 Volt AC motor and Lithium Ion battery pack. With three times the storage of regular batteries, around five years battery life and little to no maintenance it is a real alternative to diesel power and much cheaper and cleaner to run.



#### 5. Jekko SPL17



The 17 metre Jekko SPL17 spider lift

Italian-based crane manufacturer Jekko will launch its first platform - the 17 metre, SPL17 spider lift. With seven metres of outreach an overall width of just 780mm and overall height of 1,980mm it is highly compact. Optional extendable tracks provide higher ground clearance and better stability on rough terrain.

Also look out for the SPX527 - a new version of its SPD500 mini crane - which features a longer boom and increased capacities.

**6. Omme 3700RBDJ spider**

Omme's new 37 metre 3700RBDJ telescopic boom spider lift features a seven section boom plus 130 degree articulated jib and full 180 degrees of platform rotation. Outreach is 14 metres with 250kg maximum lift capacity.

The unit includes a bi-energy power pack with Kubota diesel and dual motor battery powered electric system for indoor use. The lift is just 1.1 metres wide, hydraulically extending to 1.5 metres for normal travel and will climb slopes of up to 35 percent and set up on slopes of up to 40 percent.

Overall height is 1.98 metres with a length of 7.78 metres with the basket in situ, 7.23 metres when removed total weight is 5.2 tonnes.

**7. CTE Traccess - 23m**

CTE is expected to show a new spider lift - possibly 23 metres. If it delivers this machine with the specification that has been hinted it will have a winner - a working height of 23 metres, overall dimensions of under a metre wide, two metres high and less than six metres long a total weight of less than three tonnes and with a very competitive price.

**8. Time/Versalift Semi and All electric truck mounts**

Time Manufacturing has three environmental electric products including the all-electric 13 metre Versalift ET36LF mounted on a Smiths Transit-based Edison chassis ideal for inner cities and particularly suitable for the stop/start cycles of street lighting contracts. However it is the semi-electric concept that uses the chassis' engine for road travel and the battery pack for platform operation that may prove more popular. Also look out for a new Land Rover-based lift and two new 16 metre models.

**9. Multitel Pagliero J375 TA**

Italian truck mounted lift manufacturer Multitel Pagliero, should have its new 75 metre - Multitel J375 TA - on its stand. The new platform is mounted on a five axle Volvo FM460 (10x4) chassis, and a platform capacity of 600kg at up to 28 metres of outreach. Maximum outreach is 34.5 metres with 200kg in the basket. A lighter truck (48 tonnes) is available with a slightly wider outrigger spread and reduced lift capacity.

Multitel also plans to expand its range of spider lifts at Bauma, showing a 22 metre machine - the SMX 220 - which uses the boom structure from the MX225 truck mount.

**10. Holland Lift Eco Star range**

Holland Lift will launch its all new more economically priced Eco Star range of compact, battery powered scissor lifts. The four model range offers two platform heights - 26ft/7.8m or 32ft/9.7m and two chassis widths of 1,000 or 1,400mm.

Lift capacity is 450kg on the lower models and 325kg on the higher. The two wider units are also rated for both indoor and outdoor use and the 900mm roll out deck offers the same lift capacity as the main platform.

The company may also display an upgraded version of the Holland Lift B-195DL25 with lift capacity increased from 750kg to 1,000kg.

*Holland Lift chassis***11. Dino 215XTC**

Finnish-based Dinolift will launch its third spider lift, the 21 metre 215XTC which joins the 16 and 18 metre models launched last year and uses the lift mechanism from its well proven 210XT trailer lift. At the same time it will launch new radio remote controls for all three of the new XTC machines.

Also check out Dino's new 265RXT wheeled self propelled boom lift, its largest to date.

*Dino spider lift***12. Imer Lem 2200 spider lift**

Imer is launching the 22.7 metre Imer Lem 2200 with 10.3 metres of outreach 200kg platform capacity and variable outrigger base. A choice of engines is available including a 13hp Honda iGX440 petrol engine or a 16hp Kubota Z602E diesel.

*The 37 metre Omme 3700 RBDJ*

*Böcker is entering the mastclimber market with the launch of the Maxilift MC650*

**13. Socage/ Cumberland Land Rover 4x4**

An interesting partnership, Socage and its new UK dealer, Cumberland Industries are jointly developing several 4x4 platforms. The first is a new Land Rover-based platform with specially designed Socage boom.

**14. Böcker MC650 mast climbers**

German-based hoist, crane and lift manufacturer, Böcker is entering the mast climber market with the launch of its Maxilift MC650. The range is based on existing rack and pinion components from the Giant-Lift and Superlift LX hoists, combined with purpose built bases, platforms and controls. Platform elements are available in five different sizes, allowing a single-mast platform with a width of up to 15 metres and lifting capacity of 3.5 tonnes. Dual-mast platforms of up to 35 metres are possible with a lifting capacity up to six tonnes.

**15. Skyjack SJ12 and SJ16**

Canadian-based Skyjack will show the final production versions of its mast type self propelled lifts, first seen as concept machines in late 2008. The 12ft/4metre platform height model offers several advantages over existing products, including a lower entry height, lower ground bearing pressure and tighter turning circle. For many though the 16ft/5.5metre version with push-out deck for up to 500mm of outreach will be of most interest thanks to its extra height in the same dimensional envelope and low overall weight when compared to 15ft scissor lifts.

**16. MEC crawler boom**

Sadly MEC has not managed to ship its new Titan mega boom in time for the show, it will however have a new track mounted 40ft telescopic boom which has been designed in co-operation with a number of Dutch rental companies.

*Imer Lem 2200*

**WOLFFKRAN**

**The anticipation.  
The curiosity.  
The unexpected.**

The leader of the pack is coming...to the bauma.

All | you  
need | is  
**WOLFF**

Visit us: bauma 2010 Munich Outdoor area F9 Stand 907/2



Let our advancements  
take your performance  
to a higher level



Don't miss the Genie® S™ -65 Trax, S™ -85 and GTH™ -4018SR on display



**+44 (0)1476 584333**

EMAIL [awp-infoeurope@terex.com](mailto:awp-infoeurope@terex.com)

WEB [genieindustries.com](http://genieindustries.com)

**Genie**  
A TEREX BRAND



JLG 30N

### 17. Palfinger large truck mount

Palfinger is keeping mum on a new large truck mounted lift that it is planning to unveil, the company's largest unit is currently a 101 metre lift on a Faun All Terrain carrier. Also look out for its P260B - a 26 metre boom on a 3.5 tonne chassis.

### 18. Ruthmann TB270

Ruthmann's 27 metre TB270 platform will become the highest lift on a 3.5 tonne chassis.

### 19. UpRight S19

The S19 replaces the MX19, the 19ft micro scissor that created the 19ft market. UpRight says it is not ground breaking just robust, easy to use and cheap to maintain. Take time to check out the Pop-Up range that combines UpRight and Pop-Up product low level lifts.

### 20. CMC SUP24 spider and 24m truck mount

CMC is unveiling a 24 metre, 3.5 tonne truck mount with up to 11 metres outreach and a 24 metre spider lift with 14 metres outreach on an 877mm wide chassis.

### 21 Platform Basket 22.10 spider lift

Platform Basket is showing its 22 metre spider lift with variable outrigger positioning - the company's spider range now runs up to 30 metres.

#### Other new access products worth a detour:

- Teupen Leo 13GT Spider lift
- Multitel/Palazzani: 22 metre spider
- JLG: revamped 30N Boom
- Oil & Steel: Remote control Safety Ring
- Altrex: suspended platform and painters scaffold
- Geda: hoist

## Cranes

### 1. GG Crane - twin jibbed tower crane

The 'must see' crane of the show purely because it is so crazy and so massive. GG Crane chief executive, Patrick Gillis finally gets to exhibit his radical twin jib tower crane.

The idea is that the while one jib is being unloaded the other is loaded thus providing a massive efficiency saving - as long as load and unload positions are precisely 180 degrees apart of course. The downside is the clear air space required. The unit on display (built for him by Wilbert) will have two 82.5 metre jibs giving 165 metres span, mounted on a 40 high metre tower. The jib tips are fitted with large propellers to slew and brake the crane. This may be a once in a lifetime opportunity.



### 2. Spierings SK387-AT3 City Boy

Spierings is launching the SK387-AT3 a three axle, single cab, mobile self erecting tower crane dubbed the City Boy, reflecting its similarity to City type All Terrain cranes. The new model is lighter and more compact than anything that has gone before and offers a two tonne lift capacity at 36 metres radius and 30 metres height. Alternatively it can lift the same load to a height of 53 metres at almost 26 metres radius. Maximum capacity is seven tonnes at 9.5 metres.



where noise or emissions are an issue.

### 3. Liebherr LTC 1045-3.1 City

Liebherr is unveiling its first City type All Terrain crane with conventional drive, the 45 tonne, three axle LTC 1045-3.1. One unusual feature of the new crane is the dual position operator's cab. Mounted on a short telescopic boom it can sit in the normal superstructure position when on site, and then telescope to the front of the chassis for road travel providing the crane with the best combination of a single cab city crane and dual cab All Terrains. Weighing 36 tonnes the LTC1045 has a 36 metre, five section main boom and integrated into the bi-fold 13 metre swing-away extension is a 1.5 metre jib which can be offset up to 60 degrees.



Liebherr LTC 1045-3.1

### 4. Terex AC1000

All eyes will be on the long awaited AC1000 - the new 1,000 tonne All Terrain crane from Terex which claims to have the longest boom that can remain on the crane when travelling on the road. The crane has two boom options a five section 50 metre heavy duty boom, or a further four sections weighing just 22 tonnes which fit inside the 50 metre boom to convert it to 100 metres,



Grove GMK6300L



The 1,000 tonne Sany SAC 303

providing a maximum boom and luffing jib combination of 163.3 metres. In order to meet 12 tonne axle loads the crane travels with the 50 metre base boom and no outriggers, but in the UK it may be possible to travel with the full 100 metres and rear outriggers within the 16.5 tonne STGO rules.

### 5. Sany SAC 303

Chinese manufacturer Sany Heavy Equipment may have its nine axle, 1,000 tonne SAC 303, its largest telescopic crane to date on display. The crane rolled off of the production line in Changsha, Hunan province on March 3rd.

At first glance it has some similarities to Liebherr's flagship the LTM11200-9.1 and maybe the new Terex AC1000, with its nine axle carrier and a similar swing-out outrigger design. The seven section 100 metre main boom removes for road travel.

### 6. Grove GMK 6300L

Grove's new six axle, 300 tonne GMK6300L All Terrain crane features a seven section, 80 metre main boom. Lifting capacity with full boom and counterweight is 12 tonnes at 12 metres radius and two tonnes at 74 metres radius. A bi-fold swing-away jib adds 29 metres of height for 112 metre maximum tip height. Offset is up to 40 degrees and capacity on the fully extended swing-away and boom is 3.3 tonnes.

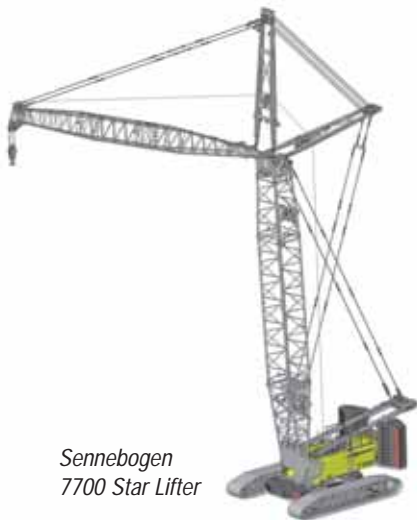
**7. Maeda LC383M-5**

The 2.93 tonne capacity, zero-tail-swing Maeda LC383M-5 mini crane will debut at Bauma. The crane builds on the success in Japan of earlier 383 models, but features a longer boom along with many other upgrades and improvements. Developed primarily for use in areas such as city centres where the compact tracked footprint requires no outriggers, it features an 8.7 metre four section telescopic boom, up to 1.46 tonnes pick and carry capacity, an open but covered superstructure mounted operator's cab and a gross weight of 4,500kg.

**8. Sennebogen 7700 Star Lifter**

Sennebogen will unveil its new 'flagship' the 300 tonne Star Lifter 7700 crawler crane. Maximum boom and jib configuration is 148 metres (74 metre main boom plus 74 metre fly boom) all of which can be containerised for easy shipment. The widest component is just three metres and weighs 40 tonnes. The new crane is said to offer quick set-up and ideal for shorter term jobs such as precast concrete assembly and small wind turbine work.

While on the stand take a look at the new 60 tonne, HPC 60 crane on a four axle commercial truck chassis. with a new compact, 42 metre telescopic boom.



Sennebogen 7700 Star Lifter

**9. Wolffkran 630B and 700B**

Wolffkran is unveiling two new luffing jib tower cranes and a brand new tower system. The 630B and 700B have maximum capacities of 42 and 50 tonnes respectively and completes the company's B range of medium to heavy luffing cranes. Key features are the innovative counterweight design and lighter

weight components for easier transportation and erection.

One of the new cranes on display will be mounted to the new more compact dimension System 23 tower which offers a 112 metre free standing height for cranes up to 700 metre/tonnes. Although at 2.3 metres it is more slender, it is said to outperform the 2.5 metre tower system in many areas.



Wolffkran 700B

**10. Altec AC38-127S and Go-Tract GT4500 chassis**

US-based aerial lift and boom truck manufacturer Altec Industries, is showing a special crane/aerial work platform mounted on a Prinoth Go-Tract tracked chassis. The unit mates a 38 tonne Altec AC38-127S crane to the largest model in the Go-Tract range, the new GT4500. The unit has a maximum tip height of 58 metres and includes an optional fully integrated two man work platform and fully insulated jibs or platform attachments. Designed for transmission line construction and maintenance work over ground inaccessible to regular vehicles it boasts a payload of up to 20 tonnes and will climb slopes of up to 60 percent and traverse side slopes of up to 40 percent.

**11. Tadano telescopic luffing jib**

Seen in concept form on a 320 tonner at the last Bauma, Tadano is officially launching its hydraulic



Maeda LC383M-5

telescopic 8.5 metre to 20.9 metre luffing telescopic jib mounted on its 220 tonne ATF 220G-5. The attachment is said to offer a set-up time of about 15 minutes and does not need a second crane to install. It will eventually be available on smaller models, so definitely with a look even if you are not in the market for a 220 tonner.

**12. Zoomlion - truck and All Terrain cranes**

With a number of new cranes it is hard to pick just one. Zoomlion will show a new 120 tonne five axle truck crane within a 55 tonne GVW with a 58.5 metre, six section oviform boom and 85 metre with

jib. It is also showing the 130 tonne six axle QY130H, the 260 tonne QAY260 All Terrain crane and new 80 and 400 tonne crawler cranes. It also says that it will show the RT750, a 75 tonne/metre Rough Terrain crane with 40 metre main boom.

**13. Liebherr 81 K**

Liebherr is introducing a new fast-erecting tower crane the six tonne 81K with a 25 percent improvement in lifting duties over the 71k it replaces, coupled with easier controls. The crane also claims to be the first in its class to operate totally in double reeved mode. The new design requires a



Zoomlion mobile crane QY130H

Wilbert  
WT 2405L



slewing radius of just 2.7 metres, while tower sections are only 2.4 metres long and can be carried sideways on a truck.

#### 14. Tadano Mantis GTC-700EX

Following its purchase of Mantis early last year, Tadano will be showing the GTC-700EX telescopic boom crawler crane with 70 tonne pick and carry capacity at three metres. Fully extended the tracks are 5.69 metres wide but these can be retracted to three metres for transportation. The GTC-700EX has

Linden Comansa 21 LC 750



a 34 metre main boom plus 9.1 metre extension and 6.1 metre jib. With 15.9 tonnes of counterweight and gradeability of 68 percent.

#### 15 Wilbert WT 2405L

Wilbert's WT 2405L e.tronic is big, with a maximum capacity of 128 tonnes. Standard jib lengths run to 78 metres and can be extended with a runner to 83 metres. The crane will be assembled on a new tower system which allows freestanding tower heights up to 130 metres stationary or up to 90 metres on a travelling base. The company will also show its new WT 175L175 tonne/metre luffer.

#### 16. Linden Comansa 21 LC 750

Linden Comansa will show its biggest Flat-Top crane to date. Announced last year, the 21 LC 750, offers 24, 36 or 48 tonnes of maximum lift capacity.

#### 18. Ormig 804AC 80 tonne truck crane

Mounted on a commercial chassis, this unit takes the growing trend for such cranes to a new level.

#### Other new cranes to look out for:

- Locatelli: Gril 8500 Rough Terrain
- Ormig: 5.5tme - 5.5 tonne electric pick & carry crane
- Hitachi-Sumitomo 200 and 550 tonne crawlers
- Terex: AC100/4L long boom
- Palfinger new High Performance PK19502/PK2202EH
  - Kobelco: 550 tonne SL6000
  - Unic: Air powered spider cranes
  - Böcker four tonne aluminium truck crane



Tadano  
Mantis  
GTC-700EX

Helping you focus....

...on your own Business.



#### What if you could have ONE supplier for all your parts..... ???

- With our online webshop you don't need to look any further.
- A parts inventory with over 20,000 line items.
- All well known brands are presented.
- Finding a part by means of the original OEM part number, giving you a full detailed description, pricing and availability information.
- For reference purposes a picture of every item is displayed.
- Highly competitive pricing.
- Able to purchase your parts via an account database or via credit card payment.

[www.platformsaleseurope.com](http://www.platformsaleseurope.com)

**PlatformSales**  
EUROPE

PlatformSales Europe • Maxwellstraat 6 • 3316 GP Dordrecht • The Netherlands

T. +31 78 65 217 65 • F. +31 78 65 217 60 • [parts@platformsaleseurope.com](mailto:parts@platformsaleseurope.com) • [www.platformsaleseurope.com](http://www.platformsaleseurope.com)

**WE ARE THE GENUINE**

**ONE STOP SHOP FOR ALL**

**YOUR PART NEEDS!**



Come and visit us!  
**BAUMA 2010**  
9-25 April, booth A4.214



## 1,000 litres a minute? Bring it on.

The new PSLF 7 from HAWE is the proportional directional spool valve you've been waiting for. The valve bank as a whole can handle flows of up to 1,000 litres per minute (400 litres per minute for each section). And of course it has the efficiency and incredibly compact dimensions you would expect from a HAWE design, whether for cranes, oil exploration machinery or mining equipment. To find out more, call +49 89 379 1000 or go to [www.hawe.de](http://www.hawe.de)

Solutions for a World under Pressure **HAWE** **60**  
HYDRAULIK 1949-2009



Giraf Track GT580



Merlo Panoramic P25.6



Sennebogen 310



XCMG

## Telescopic handlers

### 1. Giraf Track GT580

The only full-sized tracked telehandler available, the 16.5 tonne Giraf Track GT580 is certainly worth a look, especially if you need something that will cope with just about any terrain. Lift capacity is 3.8 tonnes and various work platforms with up to 20 metres working height and 750kg capacity are also available. The standard GT580B is now joined by the GT580-3C with drivers cab and optional V Blade for slope levelling up to 19 degrees (34%) and anchoring on steep gradients.

### 2. Manitou MT625

One of several new Manitou products is the compact MT625 telehandler which replaces the MT620 at the lower end of the range. With a 2,500 kg capacity and 5.85 metre lift height, the unit will have a side mounted turbocharged Kubota engine, matched to a two-speed hydrostatic transmission.

Also look out for two new 'MRT Easy' 360 degree models with 16 and 18 metre lift heights aimed at users looking for a less complex 360 degree telehandler.

### 3. JCB Miniscopic

JCB will be showing several new telehandlers including its smallest yet - the 1.8 metre high 515-40. Also look out for the compact 527-28 Loadall and the large capacity 550-80.



JCB 515-40

### 4. Merlo Panoramic P25.6 and P50.18

The compact telehandler concept - developed by Merlo almost 20 years ago - has been updated and improved with the new P25.6. Measuring 1.8 metres wide and less than two metres high, the P25.6 can lift 2.5 tonnes, has a 5.9 metre maximum lift height and is fitted with a full-sized cab.

The P50.18 is a five tonne/17.8 metre lift height heavy duty model aimed at the Canadian market. The units use the Merlin electronic control and diagnostic system which manages all operating parameters of the machine. Also look out for the new six tonne/24 metre Roto.

### 5. Sennebogen 310

The new Sennebogen 310 is a cross between a telehandler and wheeled loader. Weighing 19.5 tonnes it features a hydraulic elevating cab which can be raised to more than five metres. Maximum load capacity is 10 tonnes and maximum lift height 9.3 metres. The hydraulic quick change system with an extra wide quick change plate allows various attachments such as various buckets, forks and work platforms increasing versatility.

### 6. Bobcat Rotary telehandlers

Bobcat will launch four new 360 degree 'Rotary' models, offering lift capacities from 3,500 to 5,000kg and lift heights from 15.7 to 24.5 metres. All but the smallest have 360 degree continuous slew. Weights range from 13.1 tonnes to 17.5 tonnes and the range can be supplied with the full range of Bobcat attachments.

The smallest model is the more basic, 15.7 metre TR35160 with a two-section telescopic boom, non-continuous 400 degree slew and almost 14 metres of outreach.

### 7. Genie GTH 4018SR

Genie will be showing two new four tonne capacity rotating telehandlers aimed at the rental market - the 15.4 metre GTH 4016 SR and the 17.5 metre GTH 4018 SR. The smaller model can lift 700kg at 13.35 metres forward reach.

The GTH 4018 SR can take 500kg to a maximum forward reach of 15.53 metres. Both machines have a dedicated stability control system with a hydraulic accumulator to smooth out shocks while operating the boom.

### 9. KramerAllrad 2506

Kramer will be showing its compact 2506 which weighs in at 4.8 tonnes and an overall height of less than two metres. Maximum capacity is 2.5 tonnes and lift height is 5.73 metres.

## Also worth a visit

- Dieci is almost certain to have something new
- JLG to see compact model developments
- CAT latest models
- Liebherr has upgraded and extended its line

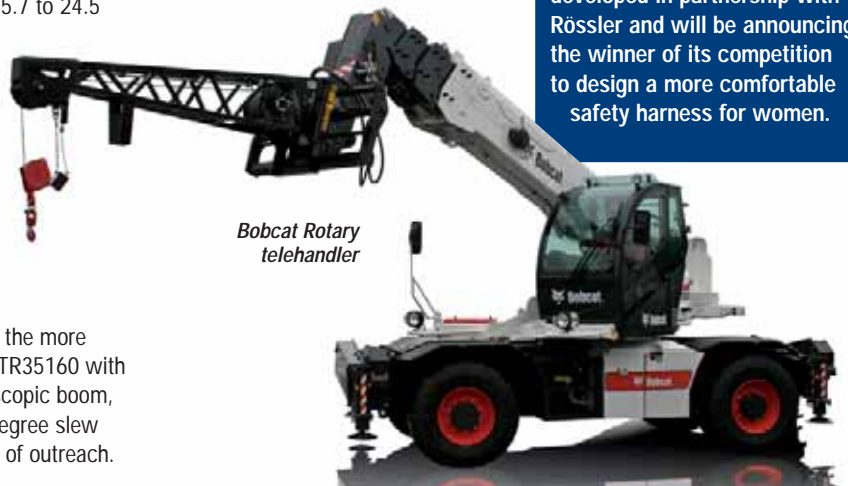


## IPAF Safety Experience

The International Powered Access Federation has an 800 square metre on which it will feature a walk-through experience with between 15 and 20 aerial lifts demonstrating the safest and most efficient way to use powered access. It is also hoping to unveil a new 'intelligent' PAL card, developed in partnership with Rössler and will be announcing the winner of its competition to design a more comfortable safety harness for women.

### 8. XCMG telehandlers

There have been very few Chinese telehandlers so far, so XCMG's new range will certainly be worth a look. Whether they will make it into full production and be available in Europe is another matter. The word is that 14 and 17 metre fixed frame models will be on display.



Bobcat Rotary telehandler

# Exhibitor Listing

The following is a full listing of all crane, access, and telehandler equipment manufacturers with booth numbers. A full listing with component and service suppliers along with ancillary equipment will be published in the Vertical Guide to Bauma.

## Access

Company	Area	Stand			
Aichi	F11	F11.1102/2	GSR	F10	F10.1003/3
Airo	F11	F11.1101/4	H.A.B.	F11	F11.1102/1
Alba Macrel	F10	F10.1004/9	Hinowa	F13	F13.1305/2
Alher	F12	F12.1204/1	Hitachi	F5	F5.504/505/5
Alimak Hek	F11	F11.1102/8	Holland Lift	F12	F12.1201
Altec	F10	N.1015/3	Huddig	F6	F6.N611/4
ATN	F12	F12.1201/4	Hydro Mobile	F10	F10.1001/2
Barin	F13	F13.1302/2	Ihimer	F9	F9.903/5
Bison	F13	F13.1304/1	Imai / Jekko	F12	F12.1204/4
Bluelift	F10	F10.1003/3	Isoli	F11	F11.1101/5
Böcker AG	F12	F12.1203/2	Iteco	F9	F9.903/5
Bravi	F11	F11.1104/12	JLG	F10	F10.1005/3
Bronto Skylift	F12	F12.1203/3	Junjin	F11	F11.1104/11
Camac	F11	F11.1104/1	Kreitzler	F9	F9.901/7
Cela	F13	F13.1303/1	Kuli/Kempkes	A1	A1.321
CTE	F11	F11.1102/4	Leader	F9	F9.904/6
Denka Lift	F10	F10.1003/3	Leguan	F5	F5.502/2
Dinolift	F13	F13.1305/1	Maber	F10	F10.1003/4
ESDA	F13	F13.1302/4	Manitou	F9	F9.908/1
Falck-Schmidt / Skako Lift	F10	F10.1003/3	Merlo	F11	F11.1108/1
Geda Dechentreiter	F10	F10.1004/1	Moog	F13	F13.1303/3
Genie	F7	F7.704/705	Oil & Steel	F13	F13.1306/2
Giraf Track	F10	F10.1001/7	Omme Lift	F11	F11.1102/1
Goian	F10	F10.1003/6	Pagliari Multitel	F12	F12.1203/1
			Palazzani	F13	F13.1303/3
			Palfinger Platforms /	F13	F13.1304/1
			Bison / Wumag		
			Paus	F5	F5.503/1
			PB Lifttechnik	F10	F10.1003/3
			Pega Hoist	F10	F10.1001/4
			Platform Basket	F9	F9.902A/2
			Platform Sales Europe	F10	F10.N1015/10
			POP-UP	F11	F11.1103/2
			Raxtar	F11	F10.1001/2
			Ruthmann	F10	F10.1006/4
			Saeclimber	F7	F7.702
			Saltec	F11	F11.1103/11
			Scaninter/Scanclimber	F13	F13.1302/1
			Skako Lift	F10	F10.1003/3
			Skyjack	F11	F11.1102/6
			Socage	F9	F9.902/4
			Steinweg	F12	F12.1203/2
			Stros	F12	F12.1201/2
			Tecchio	F11	F11.1107/2
			Teupen	F12	F12.1204/6
			Time Export	F10	F10.1002/5
			UpRight	F11	F11.1103/2
			Versalift	F10	F10.1002/5
			Worldlift Industries	F10	F10.1003/3
			Wumag	F13	F13.1304/1

*'Tallest among the smallest'*

The FALCON SPIDER is available on wheels and crawlers in heights from 29 to 52 metres.

**The tallest SPIDER in the world**

**SKAKO**  
LIFT

FALCON SPIDER • FALCON NARROW • DENKA  
www.skako.com

## Cranes

Company	Area	Stand
Amco Veba	F7N	F7.N715/3
Altec	F10	N.1015/3
Arcomet	F7	F7..709/3
Bencini / Cams	B5	B5.300
Böcker AG	F12	F12.1203/2
Bonfiglioli	F12	F12.1206/5
Cargotec	B4	403C
Effer	F8N	F8.N819/4
Ferrari	F9N	F9.N924/2
Fassi	F8N	F8.N824/1
FM Gru	F11	F11.1103/3
GAL	F10	F10.1001/9
Galich Autocrane JSC	F11	F11.1101/1
Galizia	F9	F9.903/2
GGR	F10	F10N1017/3
Grove	F10	F10.1002/6
Hiab Cargotec	B4	403C
Hitachi Sumitomo	F11	F11.1105/2
Hyva	B4	B4.211/212
Imai	F12	F12.1204/4
Jaso	F10	F10.1003/6
Jost	F11	F11.1103/1
Kato / Kranlyft	F10	F10.1003/1
Klitski JSC	F11	F11.1101/1
Kobelco	F12	F12.1202/1
Liebherr	F8	F8.803-807
Lift Systems	F8N	F8.N827/5
Link Belt	F11	F11.1105/2
Locatelli	F12	F12.1204/5
Liugong	F11	F11.1111/4
Maeda	F10	F10.1003/1
Mait	F6	F6.N611/5
Manitowoc	F10	F10.1002/6
Marchesi	F9N	F9.N919/1
Marchetti	F10	F10.1004/5
MKG	F8N	F8.N826/1
National Crane	F10	F10.1002/6
Next Hydraulics	B4	B4.200
Ormig	F10	F10.1006/7
Palfinger	F8	F8.N822/5
Paus	F5	F5.503/1

Pesci	F9N	F9.N922/1
PM Group	F8N	F8.N822/2
Potain	F10	F10.1002/6
Raimondi	F10	F10.1007
Sany	F6	F6.N608
Sennebogen	F7	F7.706
Soilmec	F6	F6.601/602/1
Soosan	F6N	F6.N610/6
Spierings	F10	F10.1002/1
Tadano Faun	F12	F12.1205
T.C.M.	F11	F11.1104/4
Terex	F7	F7.704/705
Unic	F10	F10N1017/3
Valla	F9	F9.N913/2
Wilbert	F12	F12.1202/3
XCMG	C4	C4.400/700
Zoomlion	F9	F9.905/1

## Telehandlers

Company	Area	Stand
Ahlmann	F7	F7.709/1
Ausa	F8	F8.802/2
Bobcat	F6	F6.601/602/3
Case	F7	F7.707 & 708/2
Caterpillar	B6	B6.102/104
Dieci	F11	F11.1110/1
Galmax	F8	F8.817/1
Genie	F7	F7.704/705
Faresin	F8N	F8.N820/1
Jakob Fahrzeugbau	F8	804A/805A
JCB	F7	F7.707/1
JLG	F10	F10.1005/3
Kramer	F9	F9.909-911
Liebherr	F8	F8.803-807
Manitou	F9	F9.908/1
Merlo	F11	F11.1108/1
New Holland	B5	B5.108/406
Schäffer	F8N	F8.N815/4
Sennebogen	F7	F7.706
Terex	F7	F7.704/705
XCMG	C4	C4.400/700

## Mobile scaffold tower exhibitors

Company	Area	Stand
Altrad	A2	A2.406
Altrex	A2	A2.401
Alufase	A2	A2.304
Harsco	A2	A2.122
Hymer	A2	A2.108
Instant UpRight	D1	D1.216
Layher	A2	A2.412
MJ	A2	A2.111
Ulma	F7	F7.N712/1
UpRight- Instant	D1	D1.216
Youngman	A5	A5

## Other

Company	Area	Stand
Cranes&Access	F7	F7.702/5
IPAF	F10	F10.N1016/1
Vertikal.Net	F7	F7.702/5

## Bauma 2010

29th International Trade Fair for Construction Machinery, Building Material Machines, Mining Machines, Construction Vehicles and Construction Equipment

Dates 19 - 25 April 2010

Venue New Munich Trade Fair Centre

### Opening hours

Mon - Fri: 9.30 a.m. - 6.30 p.m.

Sat: 8.30 a.m. - 6.30 p.m.

Sun: 9.30 a.m. - 4.30 p.m.

### Organiser information

Messe München GmbH

Messegelände 81823

München Germany

Further information: [www.bauma.de](http://www.bauma.de)

## DISCOVER OUR NEW WEBSITE

- ▶ Get to know the world of Terex Cranes with just one click
- ▶ Find a Terex Cranes contact near you
- ▶ Sign up for our FREE newsletter or read it online
- ▶ Get a quote for your Terex® crane



[www.terexcranes.com](http://www.terexcranes.com)

Terex® is a registered trademark of Terex Corporation in the USA and many other countries. © 2010 Terex Corporation.





**Platform Basket**

Platform Basket will show its first trailer lift, an 18 metre articulated telescopic model with articulated jib, together with a 15 metre version and its new 22.10 spider lift. A 13 metre trailer lift is forecast for later this year.

**Iteco**

Italian manufacturer Iteco - now part of the Imer group - will unveil the 170210E, a new 56ft/17metre platform height compact diesel/battery electric scissor lift with 5.8 metre extended platform with 540kg unrestricted lift capacity. Four wheel drive with oscillating axle is standard, along with non-marking Rough Terrain tyres and automatic levelling outriggers. The machine is 2.1 metres wide with an overall length of under four metres. Maximum drive height is 14 metres and gradeability 45 percent.

Iteco will also launch three battery powered articulated boom lifts, the 33ft/10 metre IT100E, the 43ft/13 metre IT130EN and the 50ft/15 metres IT150E. The larger booms include a dual riser, telescopic boom and articulating jib.



**Altrex**

Altrex will show several new products including its MBH modular suspended platform system and the MTB modular triangle bridges.

The MTB is an easy and fast to install platform system ideal for external building work up to 12 metres. Its 'V' shaped trusses are available in two, three and four metre lengths allowing a 12 metre long working platform to be built in 15 minutes.



**Holland Lift**

Holland Lift is likely to win the award for maximum new product density, but late news suggests that it will have a 34 metre battery electric powered scissor lift on display, the world's largest by far.

**Vertikal Bauma**

In order to make the most of your visit to Bauma and not miss any critical crane, access or telehandler exhibits, make sure you pick up a copy of the Vertikal Guide to Bauma, with detailed maps, listings and guided tours to each product sector. It is all you need to get the most out of this massive show and as the last publication to go to print

it has the latest breaking product information.... If you are staying for an evening or longer the handy guides to the city include the best underground and S bahn map you will find, with guides to restaurants, bars and tourist spots.

Available online, all over the outside exhibit area or from the Vertikal Stand.



**New!**

**DINO<sup>®</sup> CRAWLER**  
- for challenging sites

**DINO<sup>®</sup> XTC-series**

- Narrow and compact
- Powerful, fast movements
- Excellent gradeability
- Low ground pressure for moving on softest grounds
- "up and over" capability

Bauma 2010

**Win a DINO!**

Stand F13 1305/1

**Welcome!**

*Get Lifted™*

**DINO Lift<sup>®</sup>**

www.dinolift.com