



TVH acquires Mateco

Belgian replacement parts supplier and rental company TVH has acquired Mateco, Germany's second largest powered access company from Berlin-based Odewald & Compagnie which acquired it in 2007. It has expanded significantly since then and now has a fleet of more than 4,800 units, operating from 37 locations – 13 of which have been added in the last five years.

The acquisition combined with the Gunco/TVH fleet - claimed to be more than 10,000 units - probably makes it the second largest specialist fleet in Europe. Pascal Vanhalst, chief executive of TVH, said: "The acquisition of Mateco, will significantly strengthen our specialised rental business in selected European countries. With Mateco, we can double the

number of working platforms in our short-term rental fleet. We are also backing Mateco's proven and experienced management team around chief executive Armin Rappen and chief financial officer Hans-Hasso Kersten, who will provide us with strong support in the further expansion of our rental and equipment business."

Odewald buys into Scholpp

The sale of Odewald & Compagnie's interest in Mateco, followed closely on the heels of the private equity firm taking a 15 percent stake in German crane and rigging company Scholpp.

Ownership change at Ainscough

Bradley Hall Holdings, the owner of the UK's largest crane rental company Ainscough, has been acquired by a partnership between Goldman Sachs and private equity firm TPG. The business was purchased from Lloyds owned Caird Capital as part of its programme to offload debt. The deal also coincides with £105 million of additional asset based finance, provided by GE Capital, Burdale Financial and RBS Invoice Finance, in order to help the company expand further into the renewable energy market. Ainscough was the subject of a Management Buy Out from the Ainscough family in 2007, funded by an integrated debt and equity package.

No more Schalekamps at Riwal

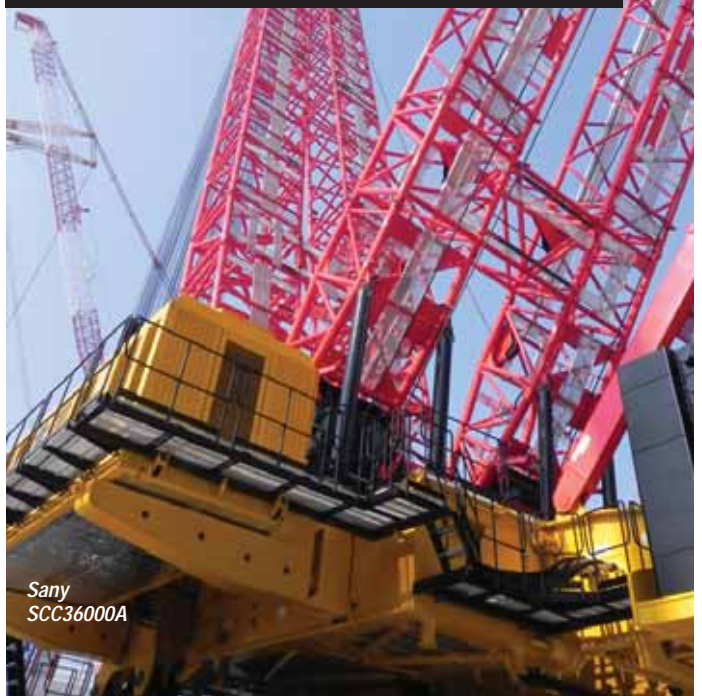
Dick Schalekamp junior, shareholder and member of the supervisory board of Riwal, left the company at the start of this year. Schalekamp stepped down as chief executive a year ago, since then his official role has been initiating international business development, international sales, purchasing relationships and mergers & acquisitions.



He says that he will now withdraw from the access industry entirely and concentrate on developing his private investment portfolio. His shares in the business have been acquired by ProDelta, the business controlled by Doron Livnat that already owns the rest of Riwal's shares.

Riwal chief executive Norty Turner said: "For the past 25 years Dick Schalekamp has led Riwal to become one of the international market leaders in the access industry. His entrepreneurial spirit and creativity in building our company have resulted in a rental and sales organisation with more than 900 employees dedicated to the commercial operation of 13,000 aerial work platforms in 16 countries across three continents. We thank him for his invaluable contributions and wish him all the best in his future endeavours."

Record breaking Bauma China



Sany
SCC36000A

At the end of November Bauma China held in Shanghai saw the launch of a number of 'world's first or world's largest' claims. They included the world's first 200 tonne Rough Terrain crane from XCMG, the world's first 2,000 tonne All Terrain crane from Zoomlion, the world's largest crawler crane - the 3,600 tonne SC36000A from Sany which was on display - while XCMG had its 4,000 tonne class XCG88000 on test at the company's facility during the show (see page 8).



XCMG's
200 tonne RT



Zoomlion 2,000 tonne AT

A great deal smaller but in its way as significant was Dingli's 45ft platform height/16 metre working height JCPT1612DC compact slab scissor lift – the tallest scissor lift on a 1.2 metre wide by 2.2 metre wheelbase chassis. How does it stay up? Dingli has used an innovative lighter weight scissor arm construction in the top stack and fitted the 800mm wide platform from its narrow slab scissors to the 1.2 metre wide machine and limited platform capacity to 200kg. For more information on the show we have a three and a half page review on Bauma China starting on page 53.



Dingli 16m JCPT1612DC



The Sky Aces Fanlift platform and crane has been designed for work on tunnel ventilation fans

Sky Aces launches the Fanlift

Italian-based manufacturer Sky Aces has announced details of its next new product, the Fanlift 855-2600, which compliments the company's existing tunnel maintenance lift, the Tunlift 737-500. The new truck mounted lift uses a heavy duty scissor lift mechanism, while the truck includes a rear mounted 18 tonne/metre loader crane to lift ventilation fan units onto the platform.

The Fanlift is specifically designed for the installation, replacement and maintenance of the large ventilation systems installed in tunnels. The lift is designed to work at heights of up to eight metres with a platform capacity of 2,600kg, of which 600kg is intended for operators and equipment, while the balance reserved for the fans which must be mounted and locked into dedicated carrier/area of the platform. The platform is 5.7 metres long by up to 3.4 metres wide, when fully extended. The unit is fully equipped for the job with working lights, an on-board compressor and generator. The first unit was scheduled for delivery at the end of December.

2,400 tonne quayside crane

Huisman China – a subsidiary of Dutch-based heavy crane manufacturer Huisman – has installed a 2,400 tonne quayside crane at its fabrication yard in Zhangzhou, Fujian. The crane - dubbed the Skyhook - can lift 2,400 tonnes to a height of 100 metres with a radius of 30 metres. It also has an extended reach configuration capable of lifting 200 tonnes at 90 metres radius with a maximum lifting height of 140 metres and can travel the entire length of the 380 metre quayside with its maximum capacity.



Sennebogen's new 55 tonne 655HD duty cycle crane

New HD crane from Sennebogen

Sennebogen has launched the new 655 HD duty cycle crawler crane. The 55 tonne capacity crane is designed for heavy-duty tasks including dragline bucket or foundation work. Features include twin 16 tonne winches driven by high-pressure, variable hydraulic motors and a continuously-variable free fall brake.

The wide range of optional equipment means it is suitable for various applications. It can also use a jib, with lift heights of up to 56 metres. The 655 HD is the first machine in Sennebogen's crane line to feature 'Green Efficiency' technology. Features include temperature-controlled fan drives, an automatic start-stop system and exhaust gas treatment, all of which boost performance but minimise fuel consumption and emissions.

Dingli appoints in UK

Chinese aerial lift manufacturer Dingli has appointed Oswald Record of Chesterfield as its new distributor for the UK. The new venture is headed by Frank Iszard and James Darnley, both of whom previously worked with Snorkel UK and Leach Lewis.



(L-R) Frank Iszard of Oswald Record, Anna Wang and Xu Shugen of Dingli, James Darnley of Oswald and Susan Hauang Yen of Dingli at the Dingli international dealer dinner in Shanghai

The distribution vacancy arose following the failure of Leach Lewis Plant division in mid-2012. Since then Dingli has been evaluating a number of different options and has finally decided to go with Iszard and Darnley. Oswald Record may yet adopt a different trading name for the Dingli business and is currently reviewing the options with Dingli.

JLG distribution centre in Brazil

JLG has opened its new upgraded regional distribution and customer support centre in Indaiatuba, Brazil. The 11,200 square metre renovated warehouse triples the company's parts inventory and introduces new technologies, including a new automated shuttle parts picking system, the first to be installed in Brazil. The updated facility also includes two new parts and service call centres and a new training area.

The new JLG facility has one of the most advanced parts picking systems in Brazil



Ejar adds 10 new Liebherrs



Two Liebherr LR1280's and a LR1300 crawler crane

Dubai based Ejar Cranes & Equipment has ordered 10 new Liebherr crawler and All Terrain cranes as part of its 2012/13 fleet expansion programme. The company has already taken delivery of eight crawler cranes, including two 300 tonne LR1300s and six 280 tonne LR1280s, while two 130 tonne Liebherr LTM1130-5.1 All Terrain cranes have yet to be delivered.

Operating from branches in Abu Dhabi, Saudi Arabia and Qatar, the company said the cranes will be used primarily on projects in the oil & gas, petrochemical and infrastructure development sectors. A new order for more Liebherr All Terrain cranes to further expand the fleet is planned for later this year.

Largest three axle truck mount for Bronto?

Bronto Skylift is planning to launch a new three axle, 60 metre plus truck mounted platform at Bauma in April.

The company declined to comment on the new lift, but it is likely to be the largest work platform on a 26 tonne truck and will, we assume, be aimed at a point above the new 54 metre Ruthmann T540. According to Bronto's German distributor Rothlechner Bronto is also working on an 18 metre lift. However this would take the Finnish manufacturer into the high volume, highly competitive 3.5 tonne truck mounted market dominated by Italian producers, something it has avoided for many years.

4,500 tonne lift for big crawler

Chinese crane manufacturer XCMG says that it has successfully lifted a 4,500 tonne test load with its 88,000 tonne/metre XGC88000 crawler crane.

The crane can also be configured as a 2,000 tonne class crane and is similar in concept to the Terex CC8800 Twin with a modular construction and twin booms. It has previously lifted 2,500 tonnes with a 96 metre main boom. The company now claims to have set a new record with the 4,500 tonne load lifted on a 60 metre main boom at which the load moment was 79,800 tonne/metres making the radius roughly 17.5 metres.

The first crane has been ordered by the construction wing of Sinopec which worked with XCMG to develop the crane. It will be used for new petrochemical construction activities.

Liebherr rebrands UK training

UK-based Liebherr GB has rebranded its training operations as Liebherr Training Services to reflect the broader range of courses, qualifications and certifications that it now offers.

Its curriculum now includes qualifications, assessments and training in the following categories:- Appointed person, Crane supervisor, Slinger & signaller, Mobile and crawler crane operator, Pedestrian operated tower cranes, aerial work platforms, LICCON planner, The Influence of wind on lifting operations and NVQs in relevant disciplines – all to independent industry schemes or its own certification. Training can be

conducted at the company's dedicated training facilities in Biggleswade, at a customer's premises or on site.



Liebherr Training Services team (L-R) Gordon Barber, Lynda Palmer, Andy Claypole and Craig Scammell

52 new lifts for Facelift

UK powered access rental company Facelift has ordered 52 new aerial lifts for 2013.

The order includes 36 self-propelled boomlifts - comprising 12 Niftylift HR12Ns with bi-energy power packs, 12 Niftylift HR17D 4x4, six Niftylift HR21D 4x4 and six Niftylift HR15NDEs - six tracked spider lifts - three Niftylift 120 X-Trax Narrow and three Niftylift 170 X-Trax - 10 Skyjack SJ12s 12ft self-propelled mast lifts.



Facelift's new order includes more 50ft Niftylift HR17s

Hiab launches XS 544

Hiab has launched its new 51 tonne/metre Hiab XS 544 loader crane with a total reach of 15 to 25 metres depending on the number of extensions specified. When fitted with its jib, which has up to six extensions, the XS544 can achieve a maximum tip height of 35 metres. Key features include Hiab's HiPro automatic smooth handling system, 360 degree continuous slew, a variable pump and improved fuel economy.

Hiab product manager for heavy cranes Sergio Peiró, said: "A large crane is a long-term investment for our customers so our goal is to make their purchase as profitable for them as we can. Total cost of ownership is an extremely important ingredient in this and factors such as fuel economy, durability, high quality/reliability and a global service network are all parts of the equation."



The XGC88000 lifts 4,500 tonnes



TNT acquires Southway

Texas-based TNT Crane & Rigging has acquired Southway Crane & Rigging of Macon, Georgia. The two companies will have a merged fleet of around 380 units with a maximum capacity of 1,200 tonnes.

TNT was acquired by Odyssey Investment Partners just over a year ago and added Oklahoma-based Turner Bros in July. The company operates from 11 locations in Texas, Louisiana and Oklahoma. Southway runs a fleet of cranes with capacities of up to 700 South Carolina, Tennessee and Florida. Jerry Reynolds, Southway's founder and controlling shareholder will remain with the company as executive vice president for the Southeast, as will the other managers and employees.



Peco peek

Late last year we had the chance to take a peek at the new Power Tower Peco, low level manually elevated push-around lift. The company built the first prototype of the 3.5 metre working height machine in mid-2012 and has been trialling the unit with launch customers ever since while refining the design. Even now it is being highly secretive over the new lift which in some respects goes head-to-head with JLG's Liftpod. Power Tower believes that the Peco could be a 'game changer' taking aerial lifts into many applications currently reserved for step ladders.



The Peco lift

'Pedal power' platform



A new low level self-propelled podium platform which uses pedal power has been launched in the UK. The Mini-Mobi is a single piece, folding aluminium work platform which at 600mm wide can pass through a standard doorway and fold down for easy transport in an estate car or van. Once erected the 50kg unit can be manually pedal propelled from the platform to the next work area. The platform height is adjusted in increments of 150mm from 460mm to 1.2 metres and platform capacity is 120kg.



The Mini-Mobi platform unfolds and is then propelled from the platform.

Grove to launch new RT



The new Grove RT550E

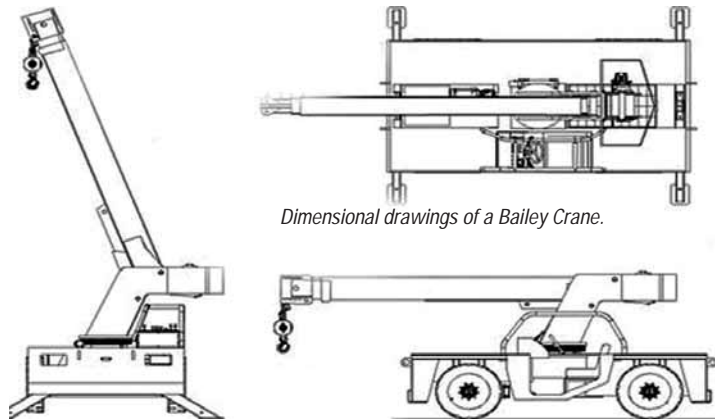
Grove has announced that it will launch a new 45 tonne Rough Terrain crane at Bauma in April next year. The new crane - the RT550E - was shown to customers from France and Italy at the Niella Tanaro production facility in Italy, together with the first 400 tonne GMK6400 All Terrain crane in Italy.

The RT550E has a five section, 39 metre main boom and features the Twin-Lock pinning system. An eight metre swingaway extension can be fitted with offsets from zero, 20 or 40 degrees. The crane has a GVW of just less than 29 tonnes.

Electric carry deck cranes

Milwaukee, USA, based Bailey Cranes will launch a range of battery powered carry deck cranes with direct AC drive this spring.

The new range will include four models - the IC9, 18, 30 and 36 - with four, eight, 13.4 and 16 tonnes capacity respectively and maximum tip heights of 10, 14, 22 and 24 metres. A hybrid power pack is also available and four wheel steer standard. The first unit in production will be the eight tonne/18,000lbs capacity IC18 which can pick & carry 5.3 tonnes. The company was set up around two years ago by Jeff Bailey the former owner of Man Lift Engineering.



Dimensional drawings of a Bailey Crane.

inspHire

rental software experts



inspHire rental software solutions deliver powerful and practical tools to maximise your profits and take business efficiency to new heights.

Over 1,000 businesses, across all rental sectors, trust and rely on inspHire every day. Call us today to find out more.

Phone +44 (0)115 979 3377
Web www.inspHire.com
Email sales@inspHire.com

SEE US ON STAND 8112

EXHIBITOR HIRE SHOW
6 & 7 of February 2013
Ricoh Arena, Coventry
40 YEARS OF HIRE SHOW 1973-2013

Fraco moves into hoists

Canadian mastclimber manufacturer Fraco has agreed a strategic alliance with Krister Kempainen's Swehoist, which will see the manufacturer build the hoists in Canada. Kempainen was chief executive of Alimak and more recently Geda Sweden until the German company closed its Skellefteå production facility at the end of 2009.

The first two products under the agreement are the SEH and the SEL Series of rack and pinion material and passenger hoists, both of which can be installed permanently or temporarily for



A Fraco SEH hoist

construction or industrial applications.

Each unit is made of galvanized steel and features an enclosed base, vertical sliding doors and security locks. The SEH hoists are available with single or double cabin and offer maximum load capacities between 700kg and 3,200kg with lift speeds varying from zero to 40 metres a minute and up to



Armand Rainville (L) and Krister Kempainen

90 metres a minute with a counterbalance system.

The SEL Series industrial lifts include single modular fully enclosed cabins with load capacities between 400kg and 3,200kg with the same lift speeds as the SEH.

100+ training course

UK-based rental company Hi-Reach Access has launched a new 'Hi-Reach 100+' course for operators of the largest self-propelled boom lifts. The company says that the course has been created in response to user requests for more information on the operation and characteristics of its larger machines. As a result the new course focuses on features specific to booms with platform heights of more than 100ft/32 metres working height.



The half day course is intended for holders of valid IPAF 3b (self-propelled boom lifts) PAL cards who would like to receive familiarisation and instruction on the characteristics and safe operating principles of these units, which is unlikely to have formed part of their original training. In addition to presentations and classroom work, the course includes hands-on operational practice with big booms. The company says that it will encourage customers renting big booms to take the course, but it will not be mandatory – the cost is expected to be around £100 per delegate.

Cramo acquires in Norway

C R A M O Finnish international rental company Cramo has acquired the assets of two Norwegian rental companies – Lambertsson and Kranpunkten. The acquisitions – due to complete during the first quarter – include the rental fleet, existing customer contacts and leasehold premises in Lillestrøm near Oslo.

The combined annual sales of the acquired operations is NK130 million (€17.7 million). Lambertsson has 30 employees while Kranpunkten has seven, all of whom have been offered permanent employment with Cramo. Lambertsson is Norway's fifth largest equipment rental business, while Kranpunkten is a leading access rental company with a fleet of around 2,200 machines which also includes mini cranes, hoists, telehandlers and mastclimbers.

Mec Titans for Saudi



Dohat Al Andalus has ordered several Mec Titan 40-S and 60-S for Saudi Arabia

Saudi Arabia-based rental company Dohat Al Andalus has placed a large order for MEC Titan 40-S and Titan 60-S big platform boom lifts. The Al Kohbar-based company runs a fleet of around 150 aerial lifts and recently added a new equipment sales operation to its business.

Farid Jaber of Dohat Al Andalus said: "The first MEC Titans have proven to be very successful and with no competitive machines available on the market today, we are looking forward to a great 2013."

Big Falcon for Mecca



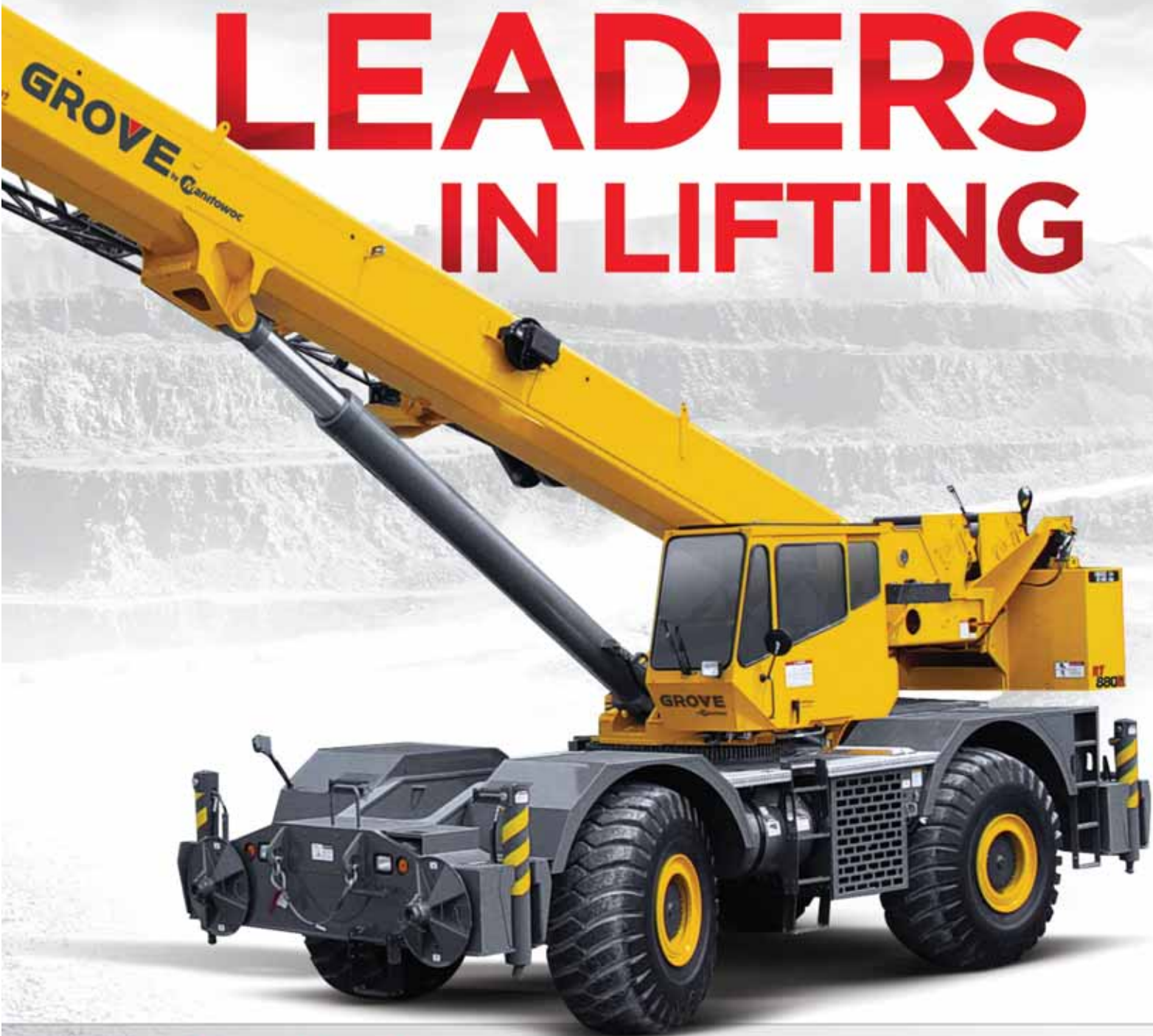
TCA Lift has delivered a 42 metre Falcon FS420 spider lift to the Abraj Al-Bait Tower, also known as the Mecca Royal Hotel Clock Tower, in Mecca, Saudi Arabia. The 76 storey building is the second highest after Dubai's Burj Khalifa. At 600 metres, it is also the tallest clock tower in the world, has the world's largest clock face and is the building with largest surface area.

The tower includes an Islamic Museum and a Lunar Observation Centre which will also be used to sight the moon during the Holy Months.

The Falcon was lifted onto the museum balcony some 400 metres up the tower by the last remaining crane on site and then driven into the building.



LEADERS IN LIFTING



Grove rough-terrain cranes

Our rough terrain cranes are long-lasting and hard-working. High-performance features help execute even the most challenging lifting jobs with strength, precision and control. Ideal for mining applications, Grove rough-terrain cranes offer lifting capacities ranging from 30t to 135t. Plus, they're backed by ManitoWoc Crane Care — the world's most advanced crane service and support program.

> For more information, visit www.manitowoccranes.com

Partnerlift Links up



L-R Kai Schliephake of Partnerlift, Tony Hobbs of Manitou and Keith Johns of the Access Link.

The UK's Access Link of independent rental companies is to formally unite with the German association Partnerlift. Access Link members approved the move unanimously at the association's winter meeting held at the Manitou plant in France before Christmas.

The full details are subject to final negotiations later this month, but are likely to see Access Link members becoming Partnerlift members and gaining access to the German association's software and other systems. The Access Link identity is almost certain to remain.

Partnerlift managing director Kai Schliephake made a formal presentation to the meeting explaining how a step up from the informal agreement between the two organisations would work. Partnerlift which signed up its 100th member – Italian company Bigman – earlier this month it now operates in Hungary, Ireland, Slovakia, Switzerland and Italy as well as Germany. The UK will add significantly to the group's 132 existing locations.

Big Effer for shale gas

UK exploration company Cuadrilla has purchased a 94 tonne/metre Effer 1355 articulated crane from truck body specialist Shawtrack. The crane has six hydraulic extensions plus a jib with a further four hydraulic extensions and a 2.75 tonne winch and is mounted on a Renault 8x4 Kerax truck.

It can lift up to 21.8 tonnes at a radius of more than four metres and take 2.2 tonnes out to more than 24 metres as well as handling over eight tonnes at a height of 18 metres with an eight metre radius.

Cuadrilla was founded in 2007 to recover natural resources, such as the 200 trillion cubic feet (tcf) of shale gas it discovered last year in Bowland, Lancashire. The company aims to tap into the Atlas Cranes national service network, following the recent distribution and support agreement between Effer and Atlas.



Cuadrilla's Effer 1355

Big Genie en route

There has been talk for some time about a new Genie super boom for launch in early 2013. Having received a photograph it now looks likely that the large telescopic - possibly a 170ft machine fitted with an articulating jib - will be unveiled at the ARA in mid-February.

The machine will have a swing-out, X-type chassis configuration similar in concept to the company's Z-135/70. The largest self-propelled boom is currently the 150ft JLG 1500SJ.



...and upgrades the Z-45

Genie is also upgrading its best-selling Z-45/25 45ft Rough Terrain articulated boom lift, the new unit has already gone into production in North America with the CE version will not be available until after April. The main improvements include an updated drivetrain - said to produce 24 percent more attractive effort - and a 498kg weight reduction. Working envelope and basic structure remain unchanged but the new unit will be offered with either Deutz or Perkins Tier 4 Final compliant engines and will continue to be available with dual fuel and bi-energy power packs.

Oil&Steel for Heider

German energy provider Heider Energie has taken delivery of a 15 metre Oil&Steel Scorpion 15E mounted on a Unimog U20 chassis for work at its electricity plant located in Wörth on the Danube. The unit offers up to 10 metres of outreach with 200kg platform capacity, with a 1KV insulated platform and integrated airline used for cleaning and maintenance.



Heider Energie's Unimog mounted lift

Kimberly introduces Sky Alarm

Kimberly Access has become the latest access rental company to introduce an electronic anti-entrapment device – the Sky Alarm. The company has no plans to market the device and has simply purchased the system from a local supplier which has adapted it from existing proximity/crushing devices.

It is similar in principle to Lavendon's Sky Siren and JLG's Sky Guard in that it uses a pressure switch/sensor bar in front of the control panel which stops the machine and sets off an alarm and flashing light if activated. It can be reset from the platform in the case of inadvertent activation, will fit

most current boom lifts and is said to be tamperproof. Kimberly had previously selected the AFI Sanctuary Zone as a simpler solution for jobs which presented entrapment risks, however with some contractors calling for a cut-out system it re-assessed the situation. It now intends to fit the device to all of its boom lifts and has no plans to charge a specific rental fee for it.



Kimberly's Sky Alarm

Outreach expands large truck mount fleet

Scottish truck mounted platform rental company Outreach has purchased three new Palfinger platforms – with working heights of 45, 53 and 70 metres.

The company says that the £1.25 million spend creates Scotland's largest independent truck mounted rental company and the 70 metre machine is the largest to be based in Scotland.



Taylor acquires Reliance Crane

Taylor Crane & Rigging of Kansas has acquired the remaining assets and goodwill of Reliance Crane and Rigging of Phoenix, Arizona following the retirement of owners Cecil and Jane Pelts.

The assets include Manitowoc crawler transporters, Scheuerle modular transporters, rail trucks/cars, towers, hoists and box girders from 200 to 1,100 tons, tower sections, jacking frames and all intellectual property including drawings, engineering, photos and client lists.

Barhart adds more locations

US-based Barnhart Crane & Rigging has opened new branches in Charleston, South Carolina, Owensboro, Kentucky and Richland, Washington. The three new depots - along with recently acquired C&S Crane & Rigging of Syracuse, New York - take its branch network to 24 locations.

Iraq takes Isoli

c&a

news

Isoli distributor and partner Precision Machinery has sold six 16 metre PT 15.9.1 telescopics in Iraq.

Dubai based Precision imports the Isoli superstructures and mounts them locally on Hino and Isuzu chassis. The six units sold in Iraq are mounted on Hino trucks and include fibreglass platforms, narrow jacking and offer 9.3 metres of outreach with 200kg platform capacity.



Icahn fails

'Activist investor' Carl Icahn has withdrawn his bid/tender offer for Oshkosh after just 22 percent of shareholders showed any interest.

He has yet to give up on his battle to gain control of the company's board of directors through the appointment of nominees. Icahn owns around 10 percent of Oshkosh and has been looking to make a quick profit on the business for more than a year.

In a statement Oshkosh, which owns JLG, said: "Given today's tender results, Oshkosh looks forward to moving ahead without the unnecessary expense and distraction of a proxy contest."



Carl Icahn

Messe München International

THE PEAK OF EXCELLENCE

bauma 2013

15 – 21 April, Munich

PARTNER COUNTRY **Indonesia**

Profit from one of the largest growth markets in the world!

Feel the pulse of the future now. bauma 2013 awaits you.

Join us – at this superlative trade fair with some:

- 500,000 visitors
- 3,300 exhibitors
- 570,000 m² of space

Register online and save!

Enjoy the benefits – Go online and register directly:

www.bauma.de/tickets/en



SJ16 VERTICAL MAST LIFT

A compact footprint, superior maneuverability and zero inside turning radius.

ANSI model shown.

Skyjack's self propelled vertical mast lift features a compact footprint and superior maneuverability. The SJ 16 has a working height of 6,75 m. When operating in tight workspaces, a high degree steer angle allows superior functionality and flexibility by offering zero inside turning radius. The SJ 16 features a 0,41 m traversing platform, providing increased access and the ability to reach over potential obstacles. A unique slide away platform provides easy access to components, when raised or in the stowed position.

SKYJACK

For information call +44-1691-676235 or visit us online at www.skyjack.com

- UK rental company **Ambrose Plant Hire** has purchased 75 new **JCB** telescopic handlers.
- Italian crane company **JMG** has opened a second production hall at its plant near Piacenza.
- New **EU import regulations** may affect the price of timber used for large outrigger mats and temporary roadways.
- **Maurice Bernard** - a founding member of **Xtra Materieel**, Rotterdam - died suddenly in early January.
- **Wynne Systems** has appointed **Shaaz Hussain** as director of finance.
- **Socage** has delivered a 24 metre DA324 truck mounted lift to Spanish sales and rental company **Alquifácil**.
- **Wisconsin, USA contractor** **Lunda Construction** is facing \$105,000 in fines for a fatal crane incident.
- **Alimak Hek** has supplied two Scando hoists for the Crossrail project in London, UK.
- **Toniolo Busnello** - a Brazilian tunnelling company - has purchased four new **JCB** telehandlers.
- **Acme Lift's** chief operating officer **Steve Nadelman** has left the company.
- Canada-based **Entrec** has acquired the assets of **Taylor Crane Service** of North Dakota.
- **Pieter Jansen**, previously with **Case New Holland**, has joined **General Equipment**.
- **John Kennedy**, owner and president of **STI**, passed away in December.
- **Ted Williams** formerly of **SkyKing** and **Alan Drew** passed away on Christmas day.
- **Anthony Chiofalo**, ex VP legal affairs at **Tadano America**, turned himself in to police in Rhode Island.
- **Tat Hong Holdings** has incorporated **Tat Hong Crane Rental (Sarawak)**.
- **Don Ahern** has overturned a ruling that ended his Chapter 11 exclusivity for **Ahern Rentals**.
- Arkansas-based **Hugg & Hall** has acquired Oklahoma based **Westquip**.
- **Scotland** will insist that those working on public sector construction sites carry training cards.
- **Acme Lift** has promoted **Mike Ferguson** to vice president of sales.
- **Manitou UK** has raised more than £12,000 for charity as part of its 40 year anniversary celebrations.
- Australian rental company **JM Tower Hire** has taken delivery of a 44 metre **Cela ALP 444i** truck mounted platform.
- **CTE** has incorporated **Seguani Meccanica** into **CTE SpA** in a corporate restructure.
- **Geda** hoist has completed its new 'state of the art' production building.
- **Carl Cooper** previously with **CLE** has re-joined **Hird** in a sales role.
- **TVH** has appointed **Andries Schouten** as managing director of **Gunco BV** as well as **HDW**.
- **Haulotte** has announced the appointment of **Thomas Stock** as general manager of **Haulotte Germany**.
- **GGR** has added two new **Galizia** pick and carry cranes to its UK rental fleet.
- **Terex Port Solutions** has delivered its 400th **TFC 45h** reach stacker to Brazilian port operator **Gelog**.
- **Uwe Wenzel** general manager of **Mammoet Germany** has left the company.



Maurice Bernard



Steve Nadelman



Mike Ferguson



Carl Cooper



Thomas Stock

- Thai company **Syntec Construction** has taken delivery of three **Potain MRC 225** luffing jib tower cranes.
- **Youngman** has appointed **IPS France** to support its **BoSS X-Series** micro scissor range.
- **Hewden** has purchased 50 new **JCB** telehandlers and two new **Terex AT** cranes.
- **Outreach** has appointed **Stuart Gilligan** as marine field sales engineer.
- UK load cell manufacturer **LCM Systems** has been appointed as a dealer for **Crosby** shackles.
- **Ashtead Sunbelt Rentals** has acquired the business and assets of Texas-based **JMR Industries**.
- **Frank Nerenhausen**, president of **JLG**, has been elected to **AEM's** Construction Equipment sector board.
- US-based **Standard Crane & Hoist** has opened a new facility in Gray, Louisiana.
- **Stefano Di Santo** previously **Haulotte** general manager Southern Europe has changed industry.
- Russian contractor **Lider** group has purchased 20 **Terex CTT 161A-8TS** tower cranes.
- Swedish rental company **Skyab** has purchased 12 **Snorkel 12ft M1230E** lifts.
- **Dan Jones**, US mid-west regional sales manager for **Genie** has died.
- UK rental company **Fork Rent** has purchased 14 **Manitou ATJ** boom lifts.
- **Ashtead** has reported a strong first half and raised full year projections.
- **Harsco** has promoted **Robert G. Yocum** to vice president and treasurer.
- **Jim McGregor**, a leading mastclimbing work platform expert has died.
- **National Crane** has introduced a new customisation and modification service.
- **JCB** has named **Arjun Mirdha** as chief operating officer of **JCB Inc** in Savannah, Georgia.
- **Manitou UK** has appointed **Mike Ritchie** as service manager for Scotland and Northern England.
- **Eric Abbey**, long time secretary of **PASMA** and a director of **Aliscaff**, has died following a short illness.
- **Nationwide Platforms** is sponsoring local football clubs for the 2012-13 season.
- **Cramo** deputy chief executive **Göran Carlson** has announced that he will leave the company in the Spring.
- **Patrick Degen** general manager of **Haulotte Germany** has left the company.
- **Terex Cranes** has appointed **PT Berlian Cranserco** as distributor for Indonesia.
- **WorkCover NSW** Australia has issued a tower crane safety communique.
- UK-based **Lindum Plant** has taken delivery of its first **Niftylift HR17** and **HR21** boom lifts.
- Dutch rental company **HWS Verhuur** has added a 27.5 metre **Omme 2750 RXJ** spider lift to its fleet.
- Trailer manufacturer **Beko** has relocated its production in **Vaihingen an der Enz**, Germany.
- The advanced **IPAF** operator training course **PAL+** is beginning to gather steam.



Frank Nerenhausen



Stefano Di Santo



Goran Carlson



Patrick Degen

- **Bernard Hunter** has been named Scotland's Top Health & Safety Conscious Company.
- **Holland Lift** is changing the way it does business in the UK.
- Recently launched **Magni Telescopic Handlers** has appointed **Domenico Polimeni** as ME sales manager.
- UK-based **Hire! Freeman** has expanded its powered access rental fleet.
- **Liebherr** has delivered its 1,000th mobile harbour crane - an **LPS 550**.
- US-based crane company **Bigge Crane & Rigging** has added two new branches.
- UK-based **Vp**, owner of **UK Forks**, has announced first half revenues up two percent to £84 million.
- **Cargotec** is planning to restructure its **Hiab** crane operations in **Hudiksvall**, Sweden.
- **HBC-Radiomatic** has appointed a sales and service partner in Vietnam.
- Wire rope manufacturer **Bridon** has opened its new **Bridon Neptune Quay** plant.
- **CTE** has delivered a 23 metre **Tracess 230** spider lift to the **Hysan Place** shopping centre in Hong Kong.
- New Zealand-based **Allcrane Sales & Services** has delivered two new **Tadano** cranes.
- UK-based **Nationwide Platforms** has achieved its second consecutive **Safecontractor** accreditation.
- The **Spider** division of **SafeWorks** has appointed **Michael Ford** sales representative Chicago branch.
- **CTE** has delivered a 33 metre **B-Fire 330** fire fighting platform to **Abu Dhabi** oil and gas company **Gasco**.
- Oklahoma-based **Kirby Smith** has added **Manitou** telescopic handlers to its range.
- **OSHA** has cited **Harrison Hoist** with six serious safety violations for the tower crane collapse at the University of Texas.
- UK powered access rental company **Lifterz** has taken its fleet to more than 600 units.
- UK-based **Warren Access** has ordered a new 33 metre **Ruthmann Steiger T330**.
- **Cargotec** has completed negotiations relating to its central office restructuring.
- Dutch lifting company **Blansjaar** has taken delivery of three new **Terex 3160 Challenger All Terrain** cranes.
- **Easy Lift** has appointed **UP** as its North American spider lift dealer.
- German-based **Wemo-tec** has taken delivery of one of the first **Manitou 280TJ** boom lifts.
- **TCA Lift** has delivered a **Falcon Spider** to **Jakarta**, Indonesia.
- More than 40 contractor delegates attended a special **IPAF** seminar in London.
- Canadian private equity firm **SeaFort Capital** has acquired **Nova Scotia** crane rental company **A.W. Leil**.
- **Easi UpLifts** Slovak affiliate **SCS** has been rebranded **Easi UpLifts (Europe)**, reflecting its wider remit.



Domenico Polimeni



Michael Ford

See www.vertikal.net news archive for full versions of all these stories