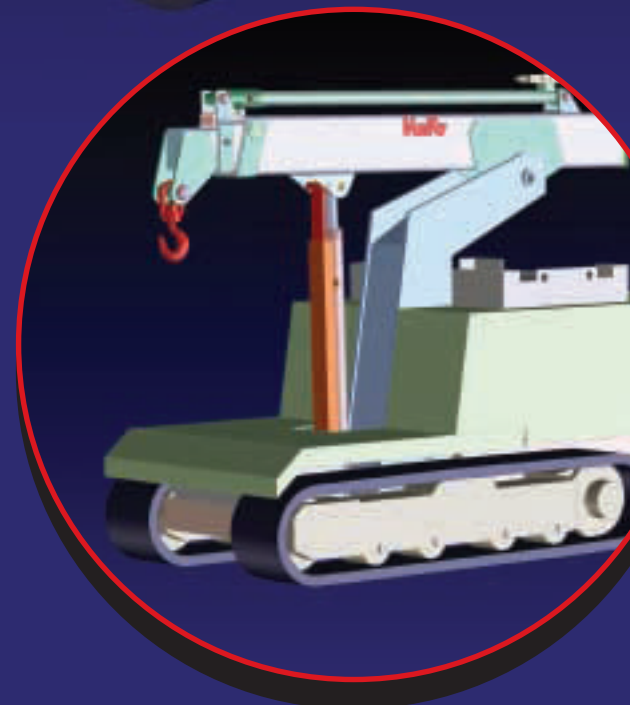
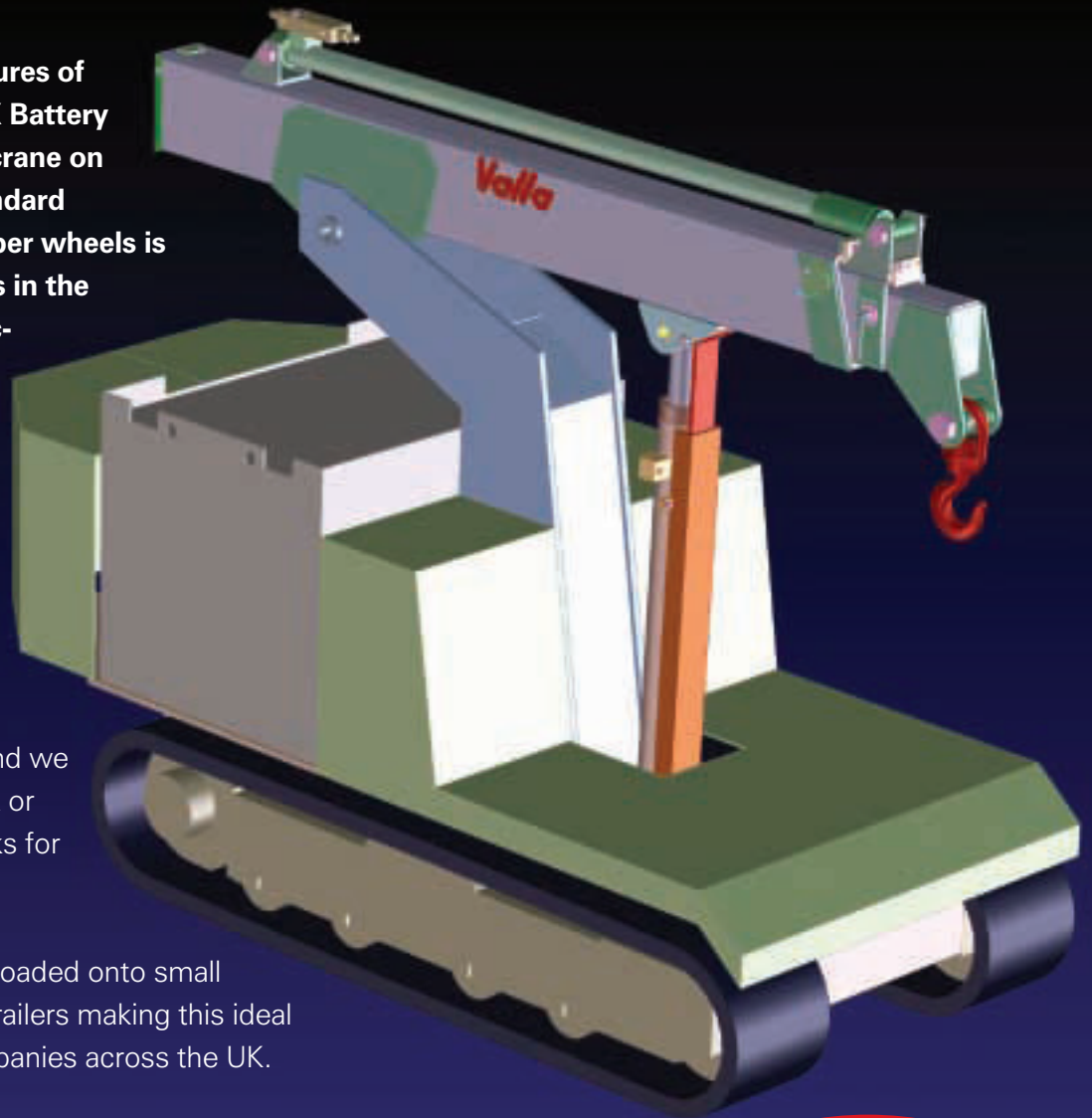


Making tracks.

Here are the pictures of the New Valla 20E TRX Battery powered mini mobile crane on rubber tracks. The standard model, the 20E on rubber wheels is already a great success in the industrial and construction sectors where lifting in confined spaces has proved difficult with larger cranes and other lifting appliances.

The TRX has a very low ground loading with it's tracked drive and we offer the option of black or white non marking tracks for different applications.

The TRX is easily loaded onto small plant transporters and trailers making this ideal for the plant rental companies across the UK.



For further information please contact:

Mr Peter Hird Jnr - Managing Director

Valla Cranes UK

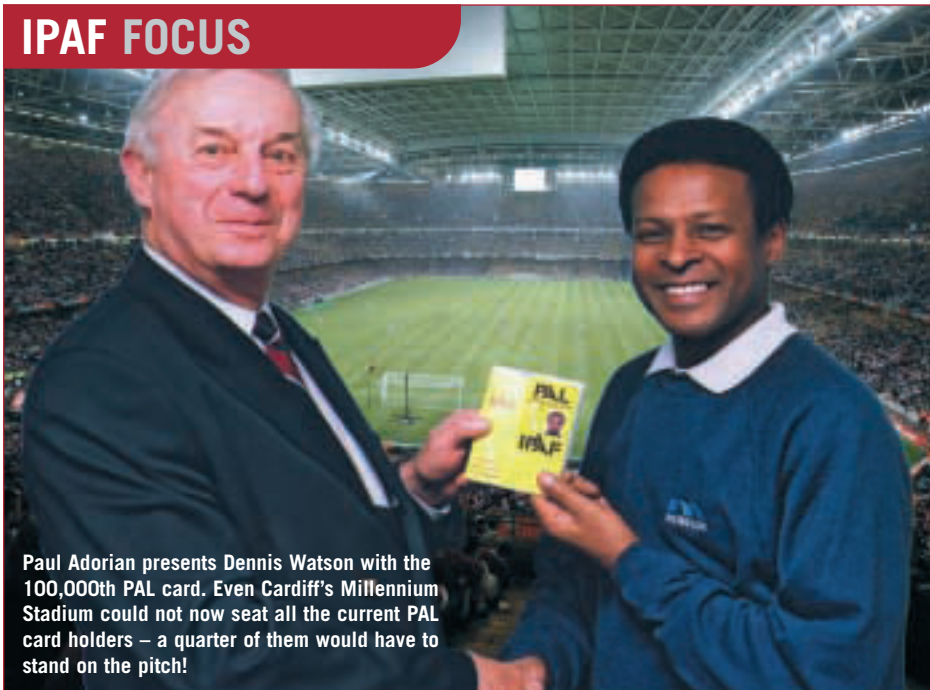
English Street

Hull HU3 2BT

Telephone: +44 (0)1482 227 333

email: sales@valla-cranes.co.uk

www.valla-cranes.co.uk



Paul Adorian presents Dennis Watson with the 100,000th PAL card. Even Cardiff's Millennium Stadium could not now seat all the current PAL card holders – a quarter of them would have to stand on the pitch!

IPAF hits 100,000

IPAF HAS issued the 100,000th PAL card to Dennis Watson, a heating engineer with construction and support services provider Mowlem. Commenting on the presentation, Watson, who is currently part of the maintenance team working on the facilities management contract at Her Majesty's Prison (HMP) Brixton, said: "Our team needs to be flexible and that means I can be fixing heating systems or working on plumbing one day and the next be working on guttering. Platforms give me the speed and safety of access that is vital in my work. As I only had limited previous experience of using them, Mowlem sent me on the IPAF course, which made a real difference. I now have complete confidence that I can work safely and easily at height."

Scott Humphrey, Mowlem contract manager at HMP Brixton, underlines the key roles that continual staff development and safety play in the company's culture: "Dennis and his colleagues are key to our commercial success. It makes sense to us to develop their skills to the full potential and that means good training combined with safety awareness."

"This is our approach to providing our own clients with the quality of service they have a right to expect. Increasingly we are getting more of our skilled workers trained to use powered access; this gives us the real flexibility that results from a multi-skilled, multi-tasking workforce."

As well as having a new skill and ensuring that he was safe working at height, Dennis had something else to smile about on receiving his PAL card. To mark the momentous 100,000-card milestone in the success of its training scheme, IPAF also presented Dennis and his family with a free holiday in Florida. ■

HSE hits out at safety at height



IN SEPTEMBER, the second round of the Health and Safety Executive's (HSE) construction site inspection blitz, focussing on safety at height, highlighted that far too many firms, especially smaller ones, are simply not taking the issue seriously enough.

In condemning the construction industry for its failure to raise the standards of work at height, Kevin Myers, chief inspector for construction said: "Since the beginning of April this year, 17 construction workers have died due to falling from height and it remains the single biggest killer in this industry. Given that most falls from height accidents are preventable, there is no excuse for not ensuring that all work being carried out at height is done safely."

"What inspectors found during the second blitz of the campaign suggests that a large section of the industry is not improving itself, as it claims. Many in the industry are deliberately cutting corners, paying lip service to safety and risking the lives of their workers." ■

This real horror from the US was out of reach of the 'Don't Fall for it' campaign and indeed the Europe-wide initiative. It highlights the continuing need for such concerted action, which includes IPAF's own vigorous, worldwide campaign against such abuse.

Instructing the instructors

THE FIFTH annual Professional Development Seminar, attended by 140 IPAF operator training instructors last month, was moved to another Midlands' venue from the original National Motorcycle Museum location because of a serious fire weeks earlier.

Now firmly established as a key element in the programme of Continuing Professional Development (CPD) for all IPAF training instructors, the seminar offers updates on issues relevant to all aspects of platform use.

At this year's event, Peter Grant of Italy-based telehandler manufacturer Merlo gave a comprehensive presentation on the growing use of platform attachments on telehandlers, offering useful pointers to what is, and what is not, safe or indeed legal.

HSE inspector Harvey Wild returned for the second year running to update everyone on the progress of the 'Don't fall for it' campaign to reduce falls from height in the construction industry, of which details of the second inspection phase are reported above. ■



GENERAL ENQUIRES SHOULD BE ADDRESSED TO:

IPAF Head Office: PO Box 16, Carnforth, Lancashire LA6 1LB, UK
Tel: +44 (0)1524 781393
Fax: +44 (0)1524 781301
email: mewp@ipaf.org
website: ipaf.org

IPAF Basel Office: Aeschenvorstadt 71 CH-4051 Basel, Switzerland
Tel: +41 (0)61 225 4407
Fax: +41 (0)61 225 4410
email: basel@ipaf.org

OPERATOR TRAINING QUERIES SHOULD BE ADDRESSED TO:

IPAF Training Administration Centre Unit 7, Bridge End Business Park, Park Road, Milnthorpe Cumbria LA7 7AD, UK
Tel: +44 (0)15395 62444
Fax: +44 (0)15395 64686
email: mewp@ipaf-training.com